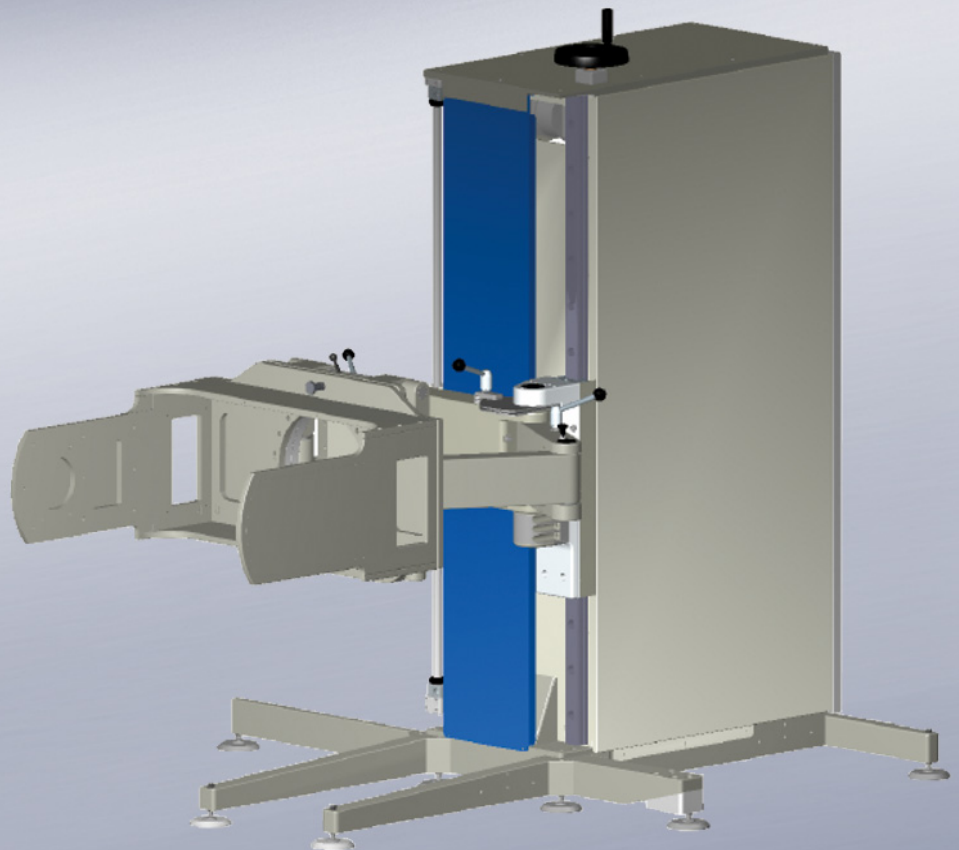


Universal test head manipulator
Agilent E6979AB

*we can **handle** it*



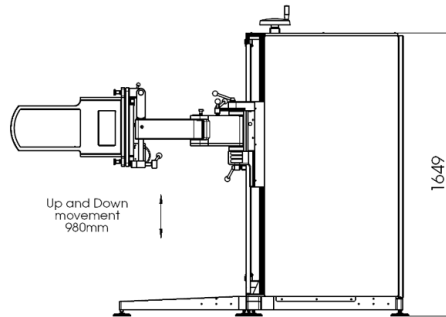
Weight capacity
410 kg

Fully integrated
system

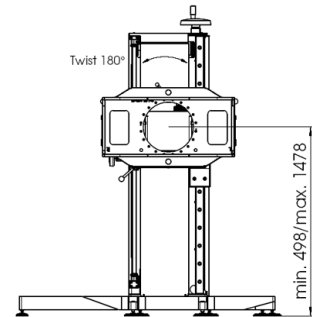
Free floating x-, y-
plane

Test head manipulator Agilent E6979AB

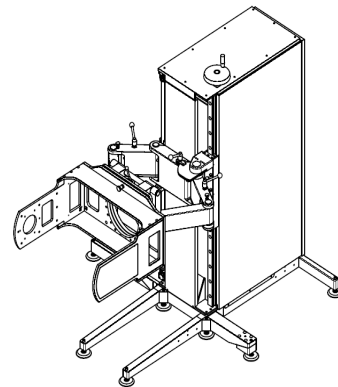
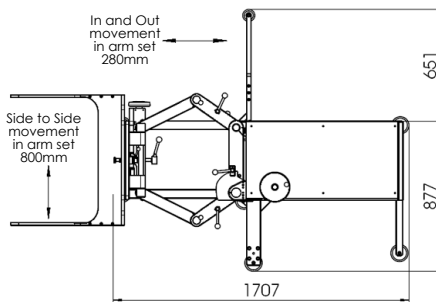
Front view



Side view



Top view



Technical Data:

Agilent

Range of motions:		Weight:	
Degrees of freedom	5 + 1	Weight capacity	410 kg
Linear motions:		Dimensions:	
Side to Side	800 mm	Footprint	1707 x 1528 mm
In and Out	280 mm		
Vertical travel	980 mm		
Rotary motions:			
Twist	180°		
Swing	90°		
Theta	free floating +/- 20°		
Setup adjustment:			
Arm sag	+/- 5°		

Floor load diagrams and layout proposals on demand.



MICROHANDLING

stands for over 20 years of experience in the field of test handlers and test head manipulators providing German quality worldwide.

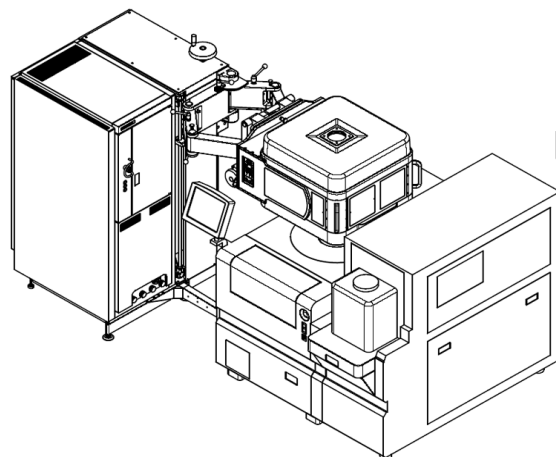
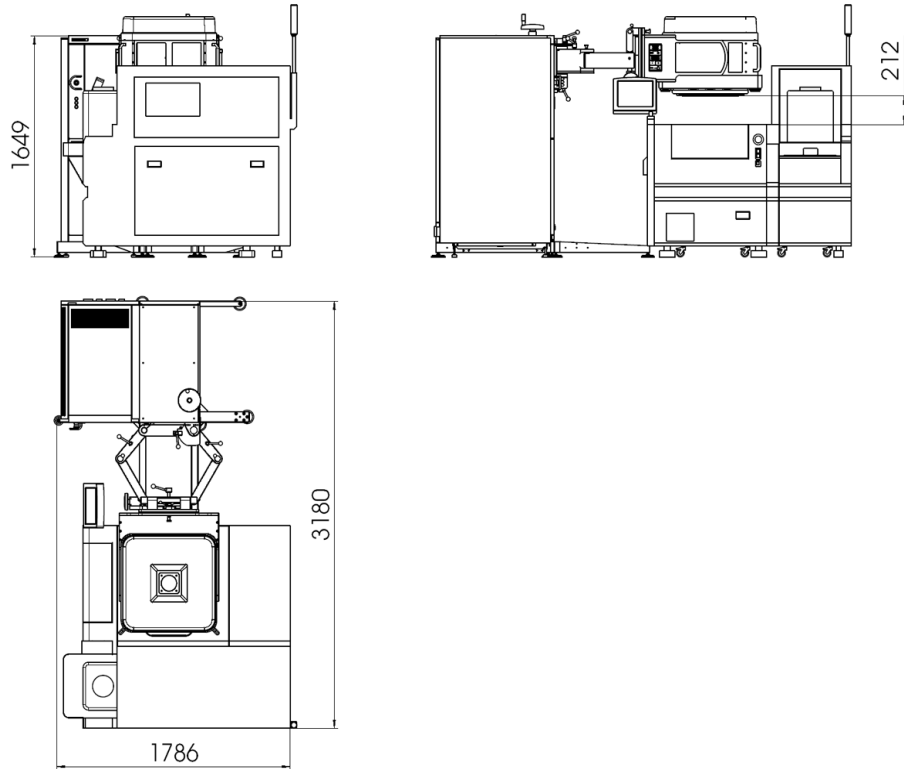
Test head manipulator Agilent E6979AB

Accretech UF3000 docking with Agilent 93000 SOC



MICROHANDLING

stands for over 20 years of experience in the field of test handlers and test head manipulators providing German quality worldwide.



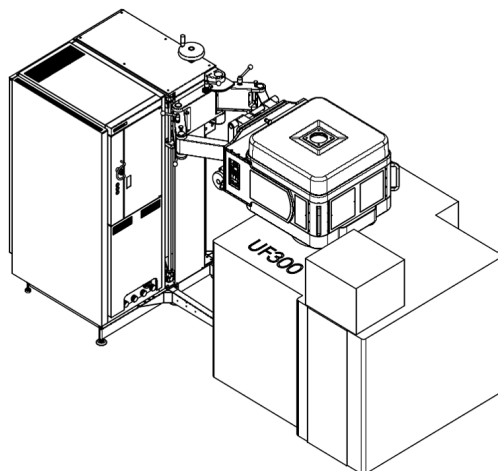
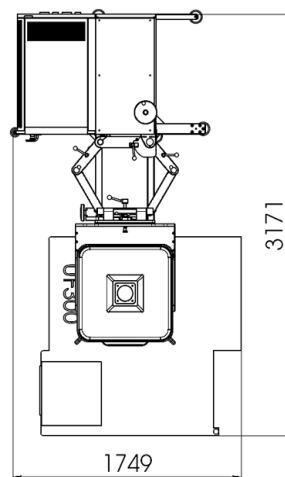
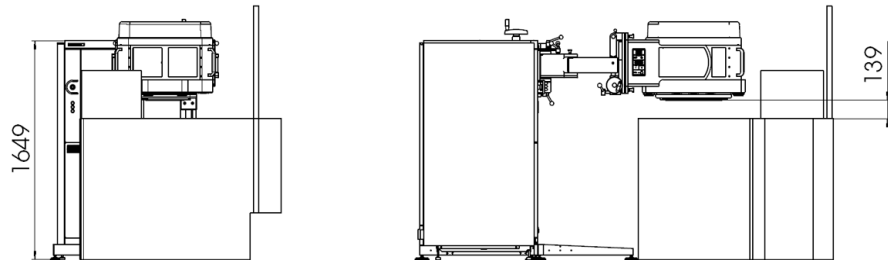
Test head manipulator Agilent E6979AB

Accretech UF300 docking with Agilent 93000 SOC



MICROHANDLING

stands for over 20 years of experience in the field of test handlers and test head manipulators providing German quality worldwide.



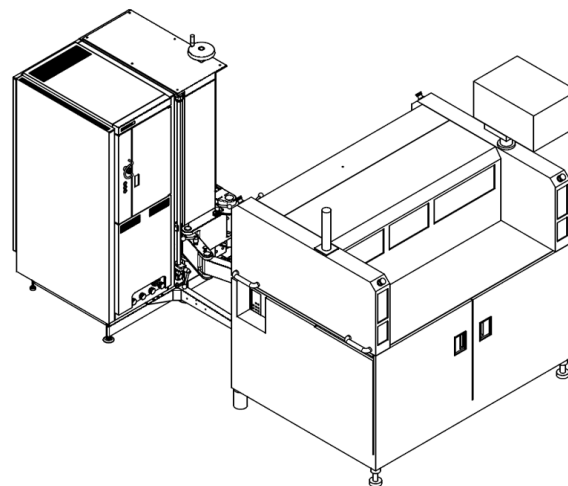
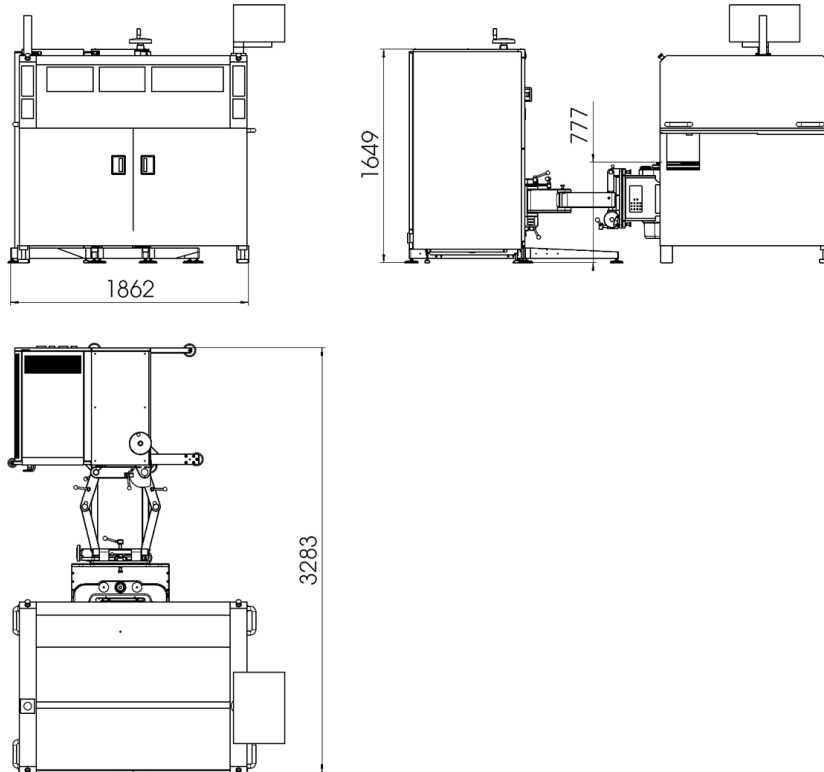
Test head manipulator Agilent E6979AB

Seiko Epson 6040 docking with Agilent 93000 SOC



MICROHANDLING

stands for over 20 years of experience in the field of test handlers and test head manipulators providing German quality worldwide.



Test head manipulator Agilent E6979AB

Delta Castle docking with Agilent 93000 SOC



MICROHANDLING

stands for over 20 years of experience in the field of test handlers and test head manipulators providing German quality worldwide.

